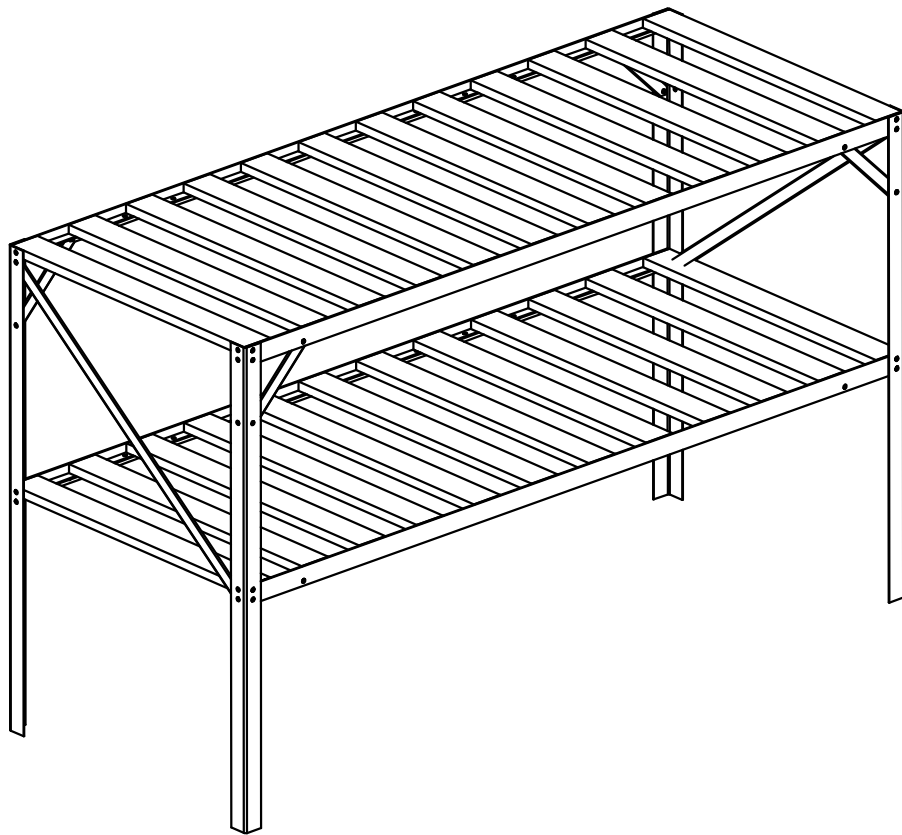


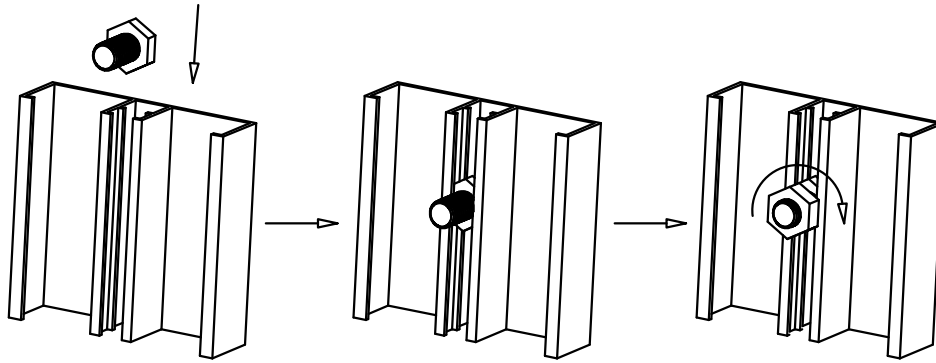
Flower staging

Assembly Instructions



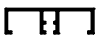
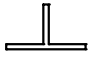

SNGS-B2

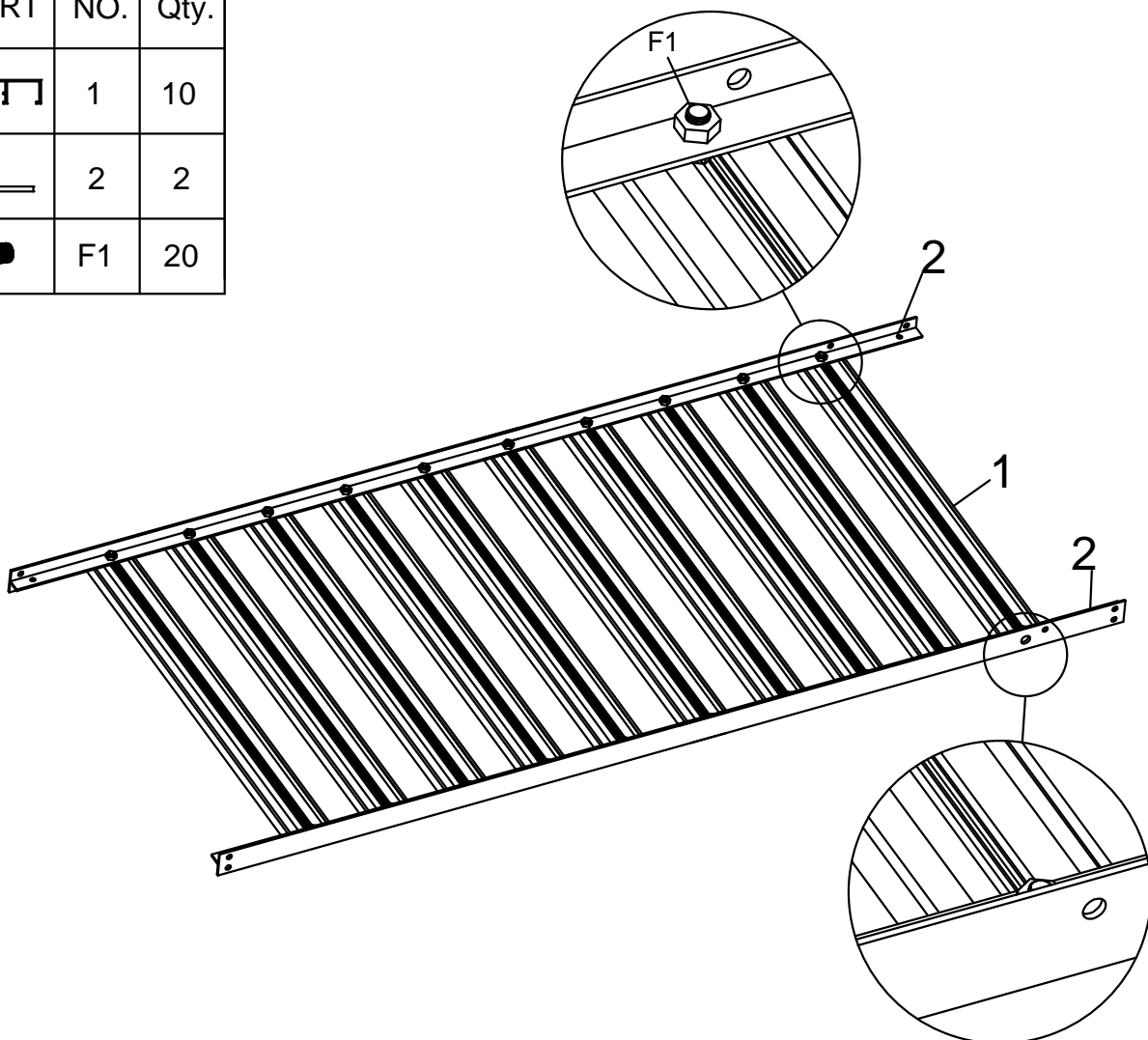
THE SECOND LAYER ASSEMBLY



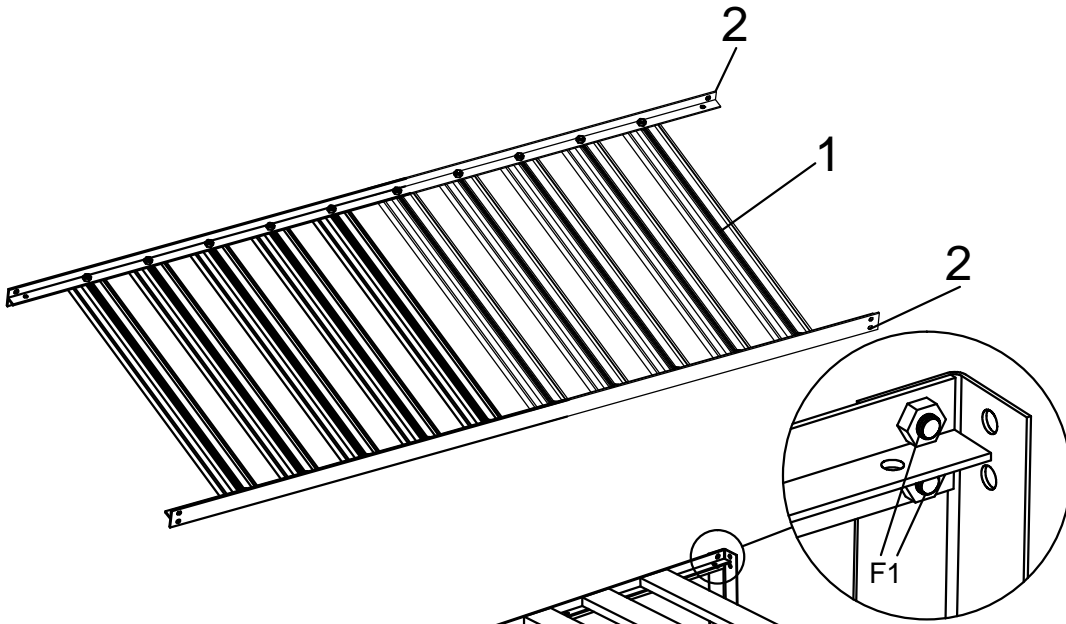
"hexagonal screw" installation


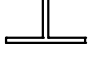


Place the "hexagonal screw" into the groove, turn clockwise until it stops turning. Adjust the "hexagonal screw" by hand and twist so threads fix it in place. Place other parts on "hexagonal screw" and assemble nut.

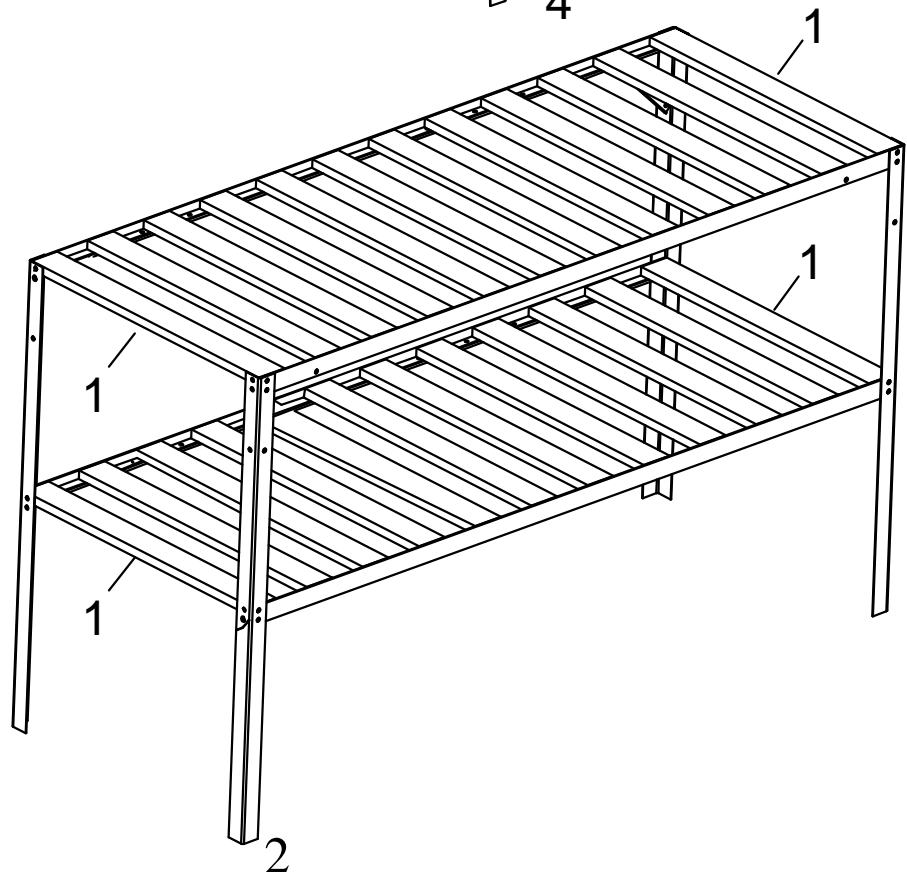
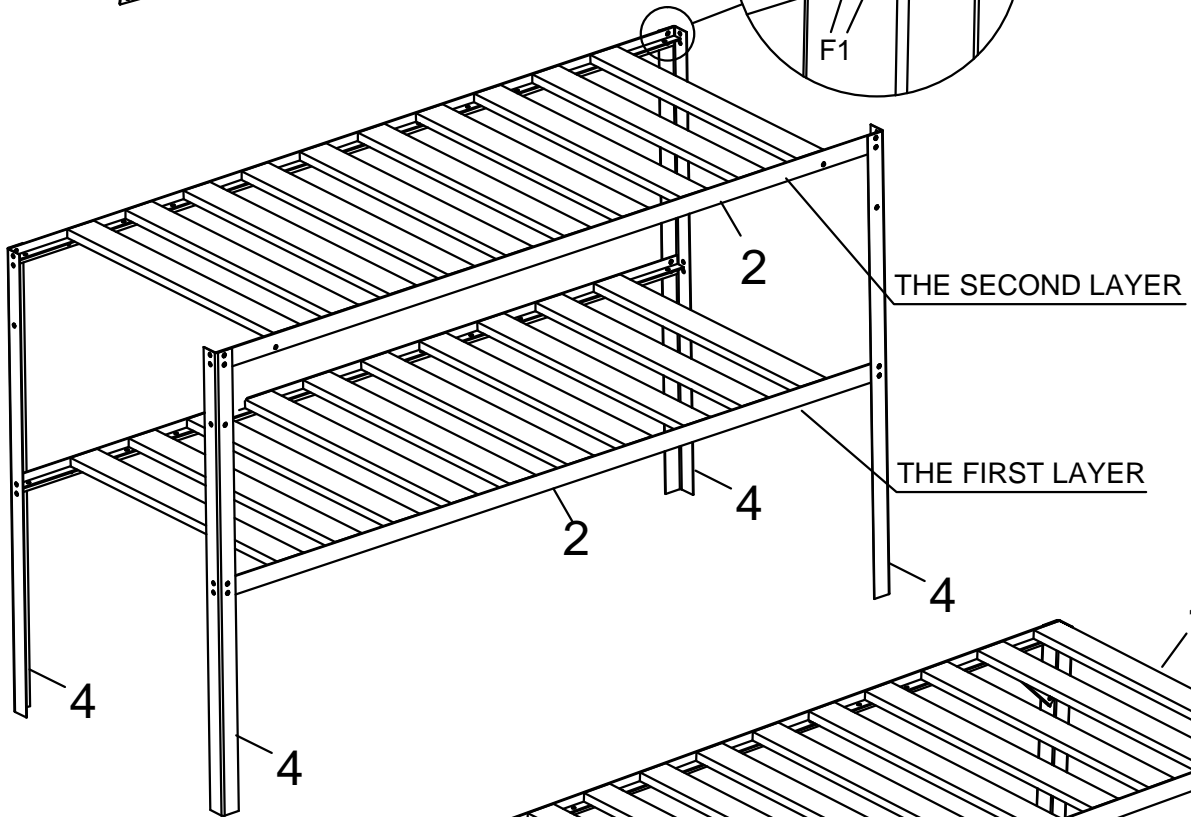
PART	NO.	Qty.
	1	10
	2	2
	F1	20

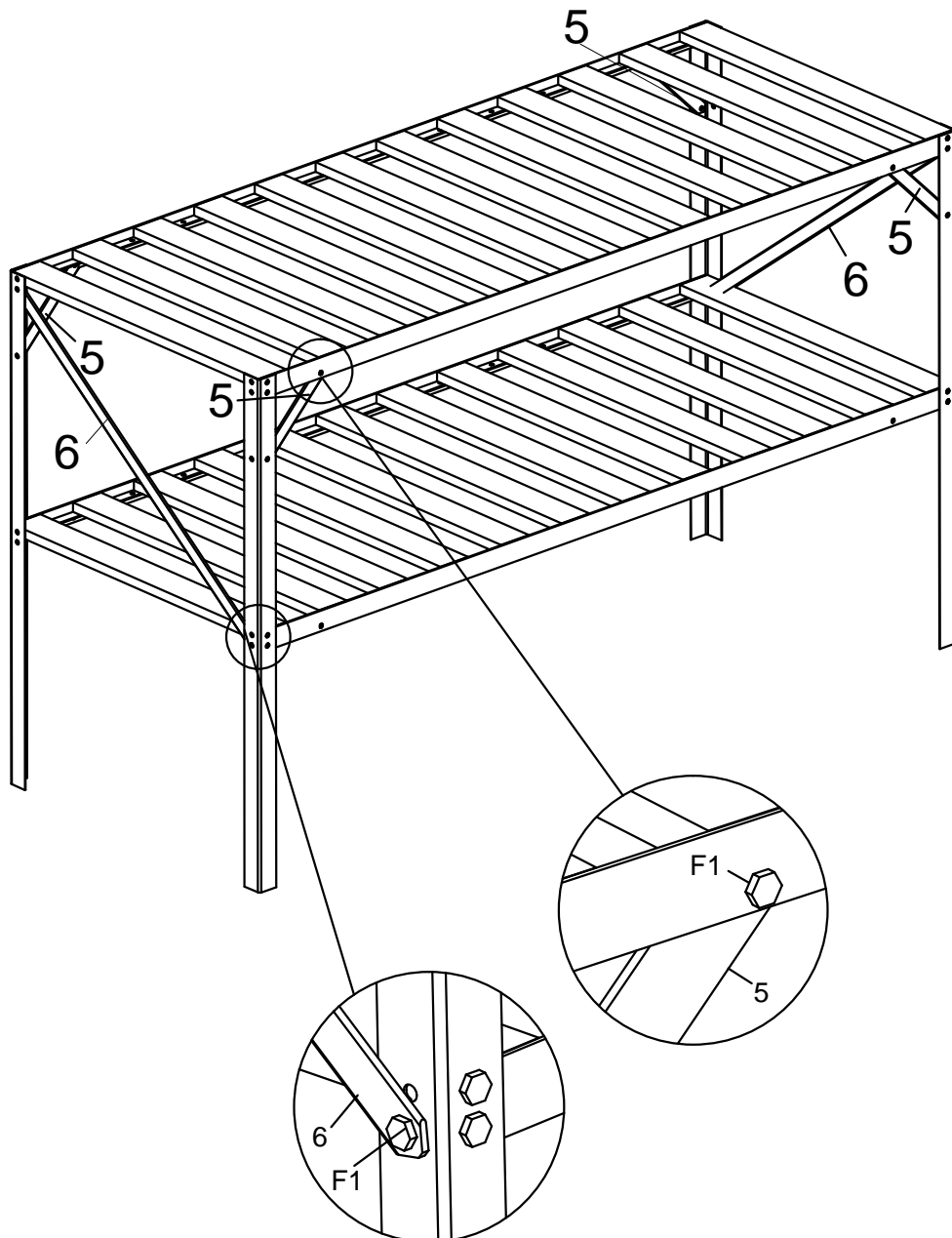


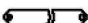

THE FIRST LAYER AND THE FRAME ASSEMBLY



PART	NO.	Qty.
	1	14
	2	2
	4	4
	F1	44





PART	NO.	Qty.
	5	4
	6	2
	F1	12